

FPA SERIES

AC/DC Single Output: 12 - 18 Watts



Features

- Universal input 90 - 264VAC
- Energy Star/MEPS Compliant
- Australian 2-pin plug
- Wide range of output connector options
- Fully isolated input - output
- Overload and short circuit protection
- Suitable for a wide range of applications
- MTBF > 80,000 hours
- Special output voltage on request
- EMC C-tick approved
- AS/NZS approval pending

General Specifications

Input Voltage:	90 - 264VAC
Output Power:	12 - 18 watts
No Load Power:	<0.5W
Output Voltage:	3 - 24VDC
Voltage Range:	Fixed
Load Regulation:	±5%
Line Regulation:	±1%
Insulation:	2-pin ClassII
Isolation:	Input - Output 3000VAC
Safety:	EN60950-1, AS/NZS60950 pending
EMC:	Emission: EN55022-B
Immunity:	EN610006-3, -4
Operating Temp:	-0°C to +40°C
Efficiency:	Model dependent, typically 70%
Protection:	Current limiting Short circuit protection Overvoltage protection
Dimensions & Weight:	50 x 36 x 64mm 150 grams

Description

The **FPA** series Wall Plug power supplies offer customers a low cost solution for a wide range of applications. Available in three power levels of 12, 15 and 18 watts and output voltage options from 3.0 - 24VDC. Apart from the models illustrated in the tables below, we can supply models to customer specifications. The 18W models are a stock line product, whilst the 12 and 15 watts are manufactured to order and minimum production orders may apply.

Options

Blank:	2.1 x 5.5mm straight barrel plug
-01:	2.5 x 5.5mm straight barrel plug
-02:	Exchangeable straight barrel plug
-03/-04:	2.1 x 55mm / 2.5 x 5.5mm right angle barrel plug

Model 12W	Output		Power W
	V	A	
FPA121A - 030 - 200	3.0V	2.0A	6W
FPA121A - 050 - 200	5.0V	2.0A	12W
FPA121A - 090 - 130	9.0V	1.3A	12W
FPA121A - 120 - 100	12.0V	1.0A	12W
FPA121A - 135 - 085	13.5V	0.85A	12W
FPA121A - 150 - 080	15.0V	0.80A	12W
FPA121A - 160 - 075	16.0V	0.75A	12W
FPA121A - 180 - 060	18.0V	0.60A	12W
FPA121A - 240 - 050	24.0V	0.50A	12W

Model 18W	Output		Power W
	V	A	
FPA181A - 030 - 280	3.0V	2.8A	8.4W
FPA181A - 050 - 280	5.0V	2.8A	14W
FPA181A - 090 - 200	9.0V	2.0A	18W
FPA181A - 120 - 150	12.0V	1.5A	18W
FPA181A - 135 - 120	13.5V	1.2A	18W
FPA181A - 150 - 120	15.0V	1.2A	18W
FPA181A - 160 - 095	16.0V	0.95A	18W
FPA181A - 180 - 095	18.0V	0.95A	17.1W
FPA181A - 240 - 070	24.0V	0.7A	16.8W

Model 15W	Output		Power W
	V	A	
FPA151A - 030 - 250	3.0V	2.5A	7.5W
FPA151A - 050 - 250	5.0V	2.5A	12.5W
FPA151A - 090 - 160	9.0V	1.6A	14.4W
FPA151A - 120 - 125	12.0V	1.25A	15W
FPA151A - 135 - 110	13.5V	1.10A	14.95W
FPA151A - 150 - 100	15.0V	1.0A	15W
FPA151A - 160 - 055	16.0V	0.55A	8.8W
FPA151A - 180 - 075	18.0V	0.75A	13.5W
FPA151A - 240 - 060	24.0V	0.6A	14.4W

GPA SERIES

AC/DC Single Output: 30 - 45 Watts



Features

- Universal input 90-264VAC
- Energy Star/MEPS Compliant
- Industry standard 2 pin IEC320 input plug
- Wide range of output connector options
- Fully isolated input - output
- Overload and short circuit protection
- Suitable for a wide range of applications
- MTBF >80,000 hours
- Special output voltage on request
- EMC C-Tick approved
- AS/NZS60950 Approval N19810

General Specifications

Input Voltage:	90 - 264VAC
Output Power:	18 - 45 watts
No Load Power:	<0.5W
Output Voltage:	3 - 24VDC
Voltage Range:	Fixed
Load Regulation:	±5%
Line Regulation:	±1%
Insulation:	2pin = Class II
Isolation:	Input - Output 3000VAC
Safety:	EN60950-1, AS/NZS60950
EMC:	EN55022 B
Immunity:	EN610006 -3, -4
Operating Temp:	0°C to +40°C
Efficiency:	Model dependent, typically 70%
Protection:	Current limiting & short circuit protection Overvoltage protection
Dimensions & Weight:	GPA18W: 68 x 50 x 28mm 120g GPA45W: 96 x 44 x 30mm 190g

Description

The **GPA** series desktop power supplies offer customers a low cost solution for a wide range of applications. Available in two power levels of 18 and 45 Watts and output voltage options from 3 - 24VDC. Apart from the voltages illustrated in the tables below, we can offer models to customer specifications. Minimum product orders may apply to some models

Connector

- Blank:** 2.1 x 5.5mm straight barrel plug
- 01:** 2.5 x 5.5mm straight barrel plug
- 02:** Exchangeable straight barrel plug
- 03/ - 04:** 2.1 x 5.5mm/2.5 x 5.5mm right angle barrel plug

Exchangeable Plugs:



The GPA series power supplies are available with **SNAP-ON** exchangeable plugs. Connecting TIP-TIP provides Centre +VE plug. Exchangeable plug P/N: EP-0001 = 2.1mm, EP-0002 = 2.5mm

Model	Output		Power W
	V	A	
GPA - 181A - 030 - 300	3.0V	3.0A	9W
GPA - 181A - 033 - 300	3.3V	3.0A	9W
GPA - 181A - 050 - 300	5.0V	3.0A	15W
GPA - 181A - 090 - 200	9.0V	2.0A	18W
GPA - 181A - 120 - 150	12.0V	1.5A	18W
GPA - 181A - 135 - 133	13.5V	1.33A	18W
GPA - 181A - 150 - 120	15.0V	1.2A	18W
GPA - 181A - 160 - 112	16.0V	1.12A	18W
GPA - 181A - 180 - 095	18.0V	0.95A	17W
GPA - 181A - 240 - 075	24.0V	0.75A	18W

Model	Output		Power W
	V	A	
GPA - 451A - 120 - 380	12.0V	3.8A	45W
GPA - 451A - 135 - 330	13.5V	3.3A	45W
GPA - 451A - 150 - 300	15.0V	3.0A	45W
GPA - 451A - 160 - 280	16.0V	2.8A	45W
GPA - 451A - 190 - 230	19.0V	2.3A	45W
GPA - 415A - 240 - 190	24.0V	1.9A	45W



AEB SERIES

AC/DC Single Output: 36 - 70 Watts



Features

- Universal input 90 - 264VAC
- Energy Star & MEPS Compliant
- +60°C operating temperature
- Fully isolated input - output
- Overload and short circuit protection
- Suitable for a wide range of applications
- MTBF >100,000 hours
- International Safety Approvals: AS/NZS60950-1 pending
- CE & C-Tick marked
- No minimum load required
- Class I and Class II insulation models

General Specifications

Input Voltage:	90 - 264VAC
Output Power:	36 - 70 watts
Output Voltage:	5.0 - 48VDC
Voltage Range:	Fixed
Regulation:	Line & Load typically $\pm 5\%$
Insulation:	2 pin IEC320 = Class II 3 pin IEC320 = Class I Negative output is connected to ground
Isolation:	Input - output 3000VAC
Safety:	EN60950-1 & UL60950-1
EMC:	EN55022 Level B
Immunity:	EN61000-4
Operating Temp:	0°C to +40°C at 100% power derate to 60% at +60°C
Efficiency:	Model dependant, typically 85%
Protection:	<ul style="list-style-type: none"> • Current limiting & short circuit protection • Overvoltage protection
Dimensions & Weight:	AEB36: 110 x 50 x 20mm 190g AEB45: 120 x 53 x 32mm 345g AEB70: 132 x 58 x 30mm 345g

Description

The **AEB** series is a **new generation** of desktop power supplies, designed to meet the latest Energy Star & MEPS standards for minimum load and efficiency.

A range of quality units with up to +60°C operating temperature, plus international safety approvals and EMC compliance across all models.

Class I and Class II insulation models are available to suit a wide range of applications.

For further information on AEB series, visit our website

Output Connector

AEB36:	(OD-ID) 5.5 x 2.5mm barrel plug, centre +VE
AEL45:	(OD-ID) 5.5 x 2.5mm barrel plug, centre +VE
AEB70:	(OD-ID) 5.5 x 2.5mm barrel plug, centre +VE

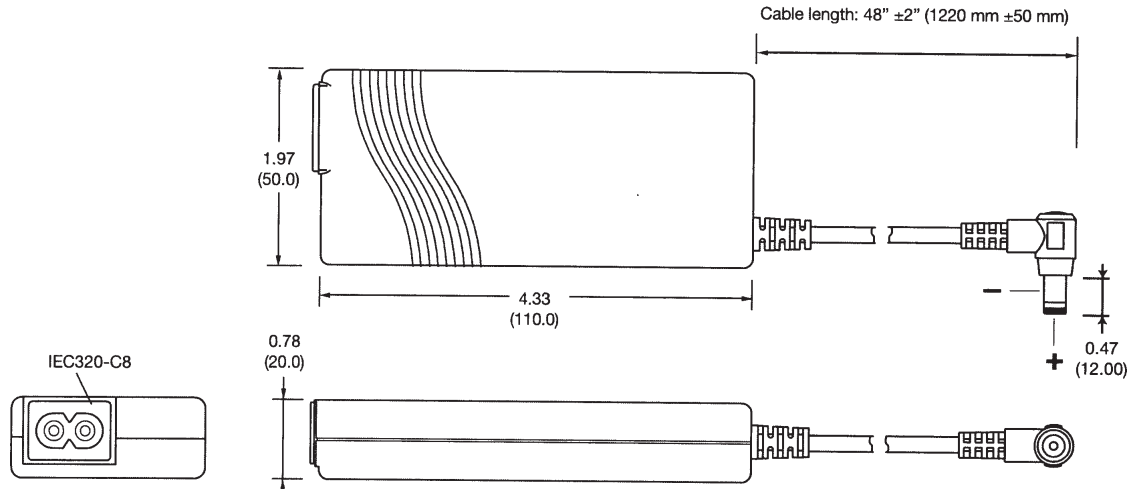
Model	Output		Power W
	V	A	
AEB70US12	12V	5.5A	66W
AEB70US15	15V	4.6A	69W
AEB70US18	18V	3.9A	70W
AEB70US19	19V	3.7A	72W
AEB70US24	24V	3.0A	72W
AEB70US48	48V	1.5A	72W

Model	Output		Power W
	V	A	
AEB36US05	5V	4.0A	20W
AEB36US09	9V	3.0A	27W
AEB36US12	12V	2.5A	30W
AEB36US13	13.5V	2.4A	32W
AEB36US15	15V	2.4A	36W
AEB36US18	18V	2.0A	36W
AEB36US24	24V	1.5A	36W
AEB36US48	48V	0.75A	36W
AEB45US12	12V	3.75A	45W
AEB45US15	15V	3.0A	45W
AEB45US18	18V	2.5A	45W
AEB45US19	19V	2.37A	45W
AEB45US24	24V	1.88A	45W
AEB45US48	48V	1.00A	48W

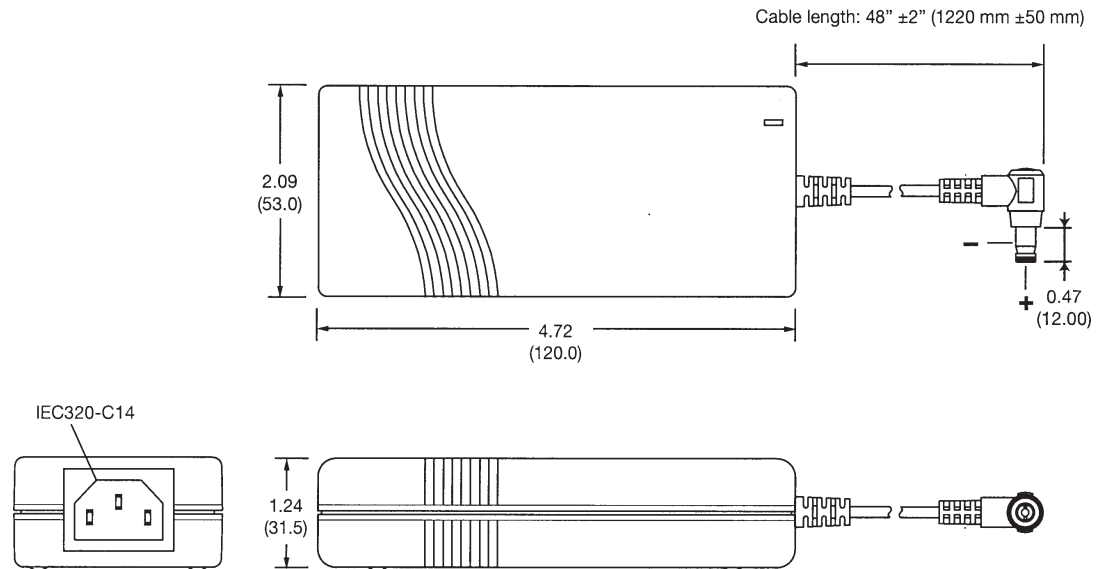
AEB SERIES

AC/DC Single Output: 36 - 70 Watts

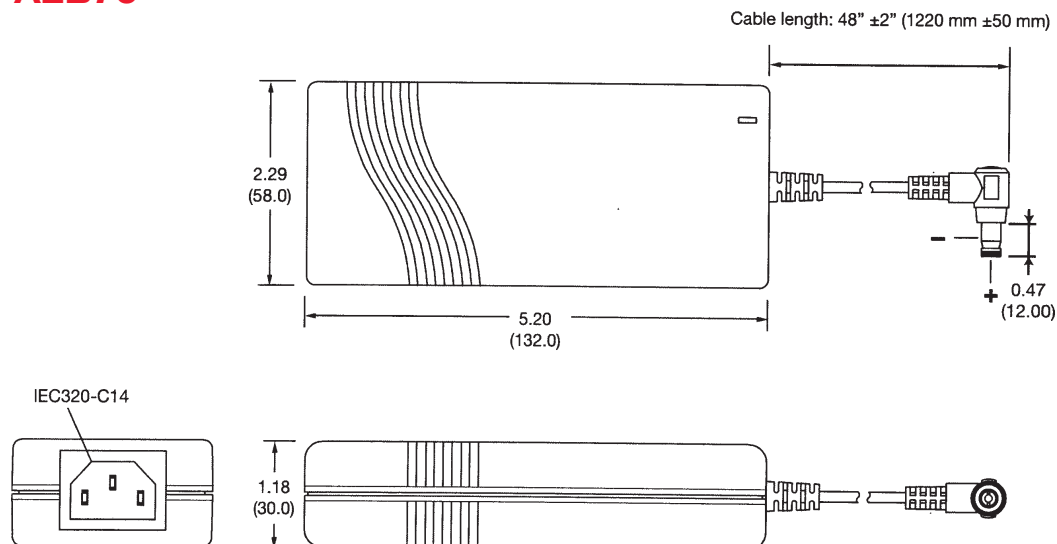
AEB36



AEB45



AEB70



AEL SERIES

AC/DC Single Output: 15 - 80 Watts



Features

- Universal input: 90 - 264VAC
- Energy Star & MEPS Compliant
- +70°C operating temperature
- Fully isolated input - output
- Overload and short circuit protection
- Suitable for a wide range of applications
- MTBF > 300,000 hours
- International safety approvals
- CE and C-tick marked
- No minimum load required
- Class I and Class II insulation models
- Standby power: 0.3W max 0.5W
- AS/NZS 60950 approval pending

General Specifications

Input Voltage:	90 - 264VAC												
Output Power:	15 - 80 watts												
Output Voltage:	3.3 - 48VDC												
Voltage Range:	Fixed												
Regulation:	Line & Load typically $\pm 5\%$												
Insulation:	2 pin IEC320 = Class II 3 pin IEC320 = Class I												
Isolation:	Input - output 3000VAC												
Safety:	EN60950-1, UL60950-1												
EMC:	EN55022-Level B												
Immunity:	EN61000-4												
Operating Temp:	0°C to +40°C @ 100% power, derate to 50% at +70°C												
Efficiency:	Model dependant typically 85%												
Protection:	<ul style="list-style-type: none"> • Current limiting & short circuit protection • Overvoltage protection 												
Dimensions/Weight:	<table> <tr> <td>AEL15:</td> <td>91 x 38 x 36mm</td> <td>165g</td> </tr> <tr> <td>AEL20:</td> <td>99 x 42 x 31mm</td> <td>170g</td> </tr> <tr> <td>AEL40 & AEL60:</td> <td>118 x 52 x 35mm</td> <td>300g</td> </tr> <tr> <td>AEL80:</td> <td>146 x 76 x 43mm</td> <td>700g</td> </tr> </table>	AEL15:	91 x 38 x 36mm	165g	AEL20:	99 x 42 x 31mm	170g	AEL40 & AEL60:	118 x 52 x 35mm	300g	AEL80:	146 x 76 x 43mm	700g
AEL15:	91 x 38 x 36mm	165g											
AEL20:	99 x 42 x 31mm	170g											
AEL40 & AEL60:	118 x 52 x 35mm	300g											
AEL80:	146 x 76 x 43mm	700g											

Description

The **AEL** series is a new generation desktop power supply, designed to meet the latest Energy Star and MEPS standard for minimum load and efficiency.

A range of quality units, with high operating temperature and MTBF > 300,000 hours, plus international safety approvals and EMC compliance is standard across models.

Class I or Class II insulation models are available to suit a wide range of applications

- **For more detailed information on the AEL series, visit our website.**

Output Connector

AEL15 & AEL20:	(OD-ID) 5.5 x 2.5mm barrel plug, centre +VE
AEL40 & AEL60	(OD-ID) 5.5 x 2.5mm barrel plug, centre+VE
AEL80:	5 pin 180° DIN

Model	Output		Power W
	V	A	
AEL15US03	3.3V	2.5A	8W
AEL15US05	5V	2.4A	12W
AEL15US08	8V	1.87A	15W
AEL15US09	9V	1.66A	15W
AEL15US12	12V	1.25A	15W
AEL15US15	15V	1.0A	15W
AEL15US18	18V	0.83A	15W
AEL15US24	24V	0.62A	15W
AEL15US30	30V	0.50A	15W
AEL15US36	36V	0.42A	15W
AEL15US48	48V	0.31A	15W

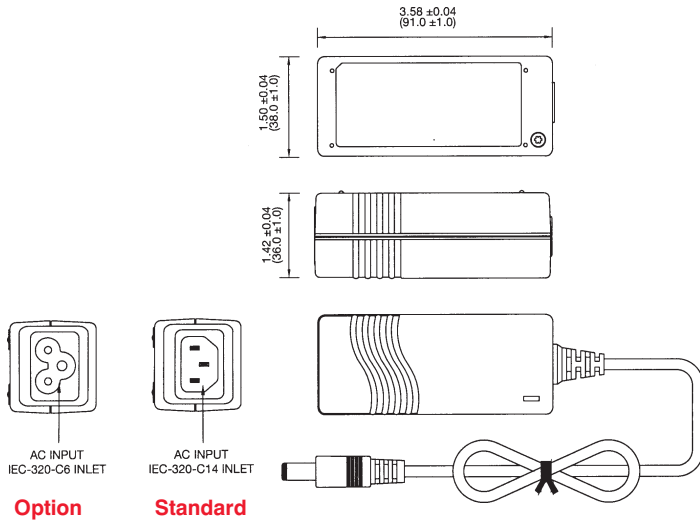
Model	Output		Power W
	V	A	
AEL20US05	5V	3.0A	15W
AEL20US12	12V	1.67A	20W
AEL20US15	15V	1.33A	20W
AEL20US24	24V	0.83A	20W
AEL20US30	30V	0.67A	20W
AEL20US48	48V	0.42A	20W
AEL40US05	5V	5.0A	25W
AEL40US08	8V	4.37A	35W
AEL40US09	9V	3.88A	35W
AEL40US12	12V	3.33A	40W
AEL40US15	15V	2.67A	40W
AEL40US18	18V	2.2A	40W
AEL40US24	24V	1.67A	40W
AEL40US36	36V	1.11A	40W
AEL40US48	48V	0.83A	40W

Model	Output		Power W
	V	A	
AEL60US12	12V	4.75A	57W
AEL60US15	15V	4.2A	63W
AEL60US18	18V	3.5A	63W
AEL60US24	24V	2.63A	63W
AEL60US30	30V	2.15A	63W
AEL60US36	36V	1.75A	63W
AEL60US48	48V	1.31A	63W
AEL80US12	12V	6.6A	80W
AEL80US15	15V	5.38A	80W
AEL80US18	18V	4.44A	80W
AEL80US24	24V	3.33A	80W
AEL80US30	30V	2.66A	80W
AEL80US36	36V	2.22A	80W
AEL80US48	48V	1.66A	80W

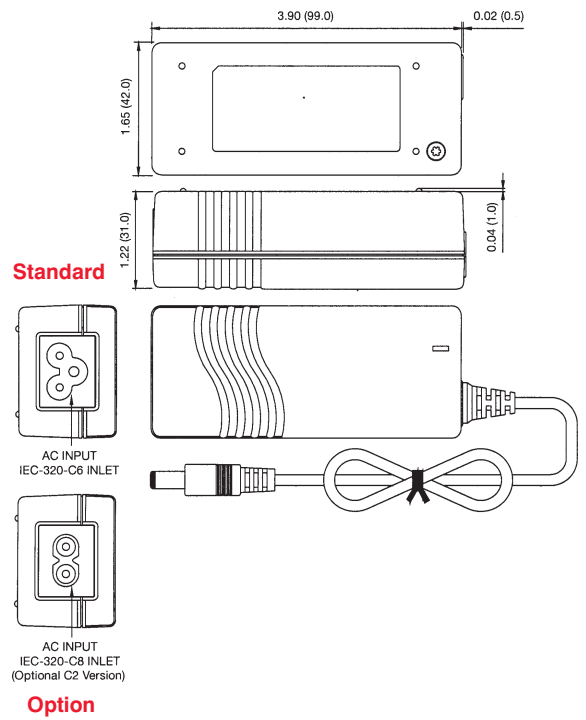
AEL SERIES

AC/DC Single Output: 15 - 80 Watts

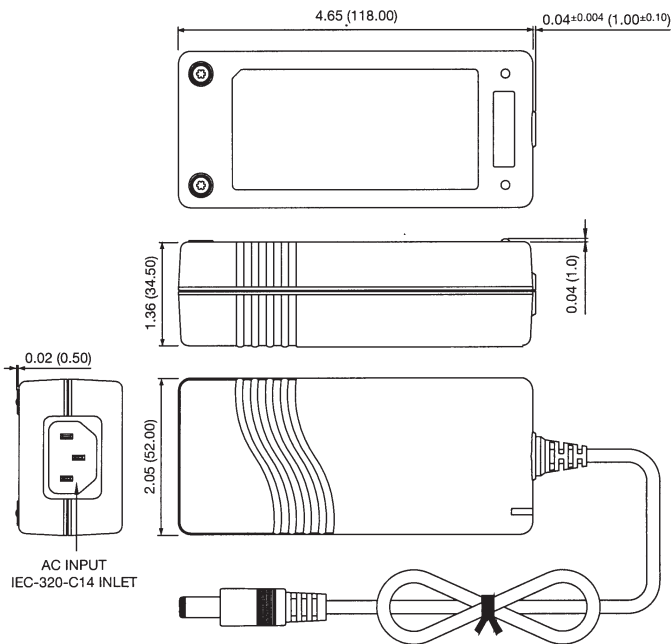
AEL15



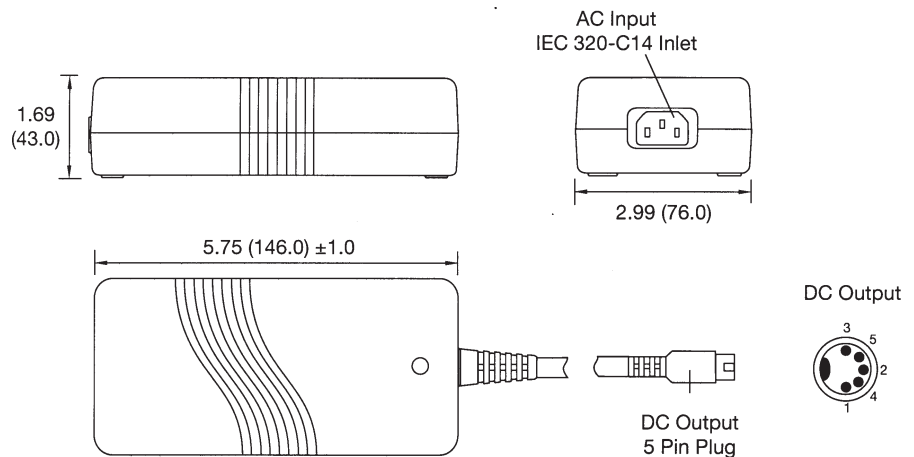
AEL20



AEL40-60



AEL80



PDM30 - 60 SERIES

AC/DC Single Output: 30 - 60 Watts



Features

- Universal input 90-264VAC
- International Medical Safety approvals
- +60°C operating temperature
- Fully isolated input - output
- Overload and short circuit protection
- Suitable for a wide range of applications
- MTBF >500,000 hours
- CE and C-Tick marked
- No minimum load required
- Class II insulation

General Specifications

Input Voltage:	90 - 264VAC
Output Power:	30 - 60 watts
Output Voltage:	5 - 48VDC
Voltage Range:	Fixed
Regulation:	Line & Load typically $\pm 5\%$
Insulation:	2pin IEC320 = Class II
Isolation:	Input - output 4000VAC
Safety:	EN60601-1, UL60606-1
EMC:	EN55011 Level B
Immunity:	EN61000-4
Operating Temp:	0°C to +40°C @ 100% power
Efficiency:	Model dependent, typically 85%
Protection:	Current limiting & short circuit protection Overvoltage protection

Dimensions & Weight: PDM30: 110 x 50 x 30mm 210g
PDM60: 135 x 65 x 41mm 580g

Model	Output		Power W
	V	A	
PDM30US05	5V	4A	20W
PDM30US09	9V	3A	27W
PDM30US12	12V	2.5A	30W
PDM30US15	15V	2A	30W
PDM30US18	18V	1.65A	30W
PDM30US24	24V	1.25A	30W
PDM60US12 C8	12V	4.6A	55W
PDM60US15 C8	15V	4A	60W
PDM60US18 C8	18V	3.3A	60W
PDM60US24 C8	24V	2.5A	60W
PDM60US30 C8	30V	2A	60W
PDM60US36 C8	36V	1.7A	60W
PDM60US48 C8	48V	1.25A	60W

Description

The **PDM30 & PDM60** series desktop power supply offers a range of single output options, designed for **medical** applications.

Both models carry international medical safety approvals and meet the applicable EMC and immunity standards.

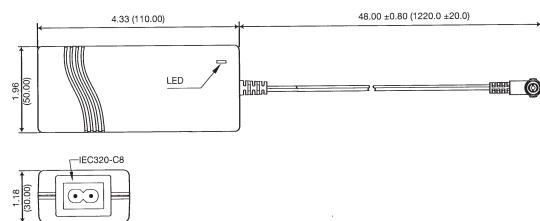
For further information on PDM30 & PDM60 Series, visit our website

Connector

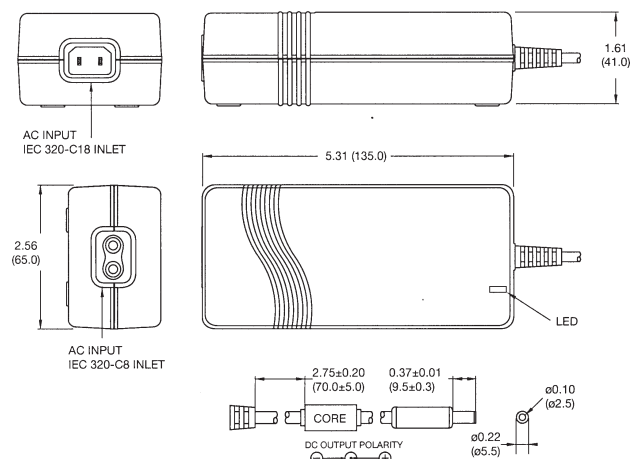
Input Input is via two pin IEC320-C8

Output PDM30: 5.5 x 2.1mm Centre+VE (right angle)
PDM60: 5.5 x 2.5mm Centre+VE (straight)

PDM30



PDM60



AMM90 SERIES

AC/DC Single Output: 90 Watts



Features

- Universal input: 90 - 264VAC
- Energy Star & MEPS Compliant
- +60°C operating temperature
- Fully isolated input - output
- Overload and short circuit protection
- Suitable for a wide range of applications
- MTBF > 150,000 hours
- International Medical safety approvals
- CE and C-tick marked
- No minimum load required
- Class I and Class II insulation models

General Specifications

Input Voltage:	90 - 264VAC
Output Power:	90 watts
Output Voltage:	5 - 8VDC
Voltage Range:	Fixed
Regulation:	Line & Load typically $\pm 5\%$
Insulation:	2 pin IEC320 = Class II 3 pin IEC320 = Class I
Isolation:	Input - output 4000VAC
Safety:	EN60950-1, UL60950-1
EMC:	EN55011 Level B
Immunity:	EN61000-4
Operating Temp:	0°C to +40°C at 100% power, derate to 50% at +60°C
Efficiency:	Model dependant typically 85%
Protection:	<ul style="list-style-type: none"> • Current limiting & short circuit protection • Overvoltage protection
Dimensions/Weight:	130 x 77 x 44mm 660g

Description

The **AMM90** series is a **new generation** desktop power supply, designed to meet the latest Energy Star and MEPS standard for minimum load and efficiency.

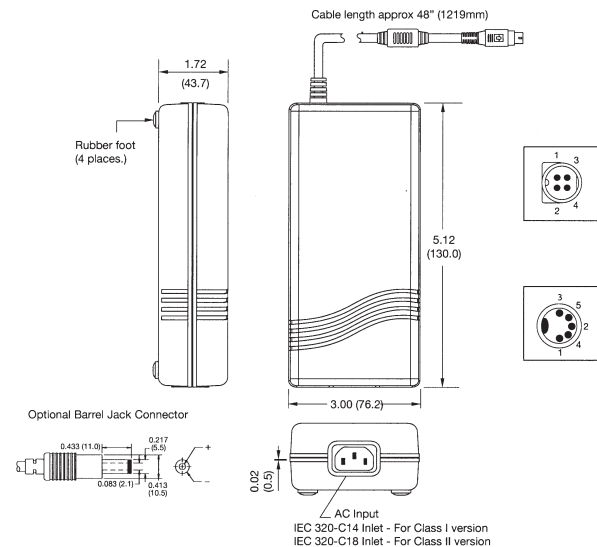
A range of quality units, with high operating temperature and MTBF > of 150,000 hours, plus international **medical** safety approvals and EMC compliance across all models.

Class I or Class II insulation models are available to suit a wide range of applications

- **For more detailed information on the AMM90 series, visit our website.**

Options

Class II: For Class II insulation add 'C2' to model:
AMM90PS24C2



Model	Output		Power W
	V	A	
AMM90PS05	5V	12A	60W
AMM90PS06	6V	10A	60W
AMM90PS09	9V	7.78A	70W
AMM90PS12	12V	6.67A	80W
AMM90PS13	13.5V	6.3A	85W
AMM90PS15	15V	5.67A	85W
AMM90PS18	18V	5A	90W
AMM90PS19	19V	4.74A	90W
AMM90PS24	24V	3.75A	90W
AMM90PS30	30V	3A	90W
AMM90PS48	48V	1.87A	90W

9120 & 9320 SERIES

AC/DC Single Output: 40 - 70 Watts



Features

- Switched mode design
- Stand alone design with mains power cable
- Regulated output
- Short circuit protection
- Very low noise and ripple output
- Suitable for a wide range of Telecom and industrial applications
- Isolated output
- Mature product, over 18 years field service
- EMC and Safety Compliant
- Internal voltage trim pot
- Optional mounting brackets

General Specifications

Input Voltage:	240VAC (198 - 264)
Output Voltage:	9 - 36VDC options
Output Power:	40 - 70 watts
Voltage Adjustment:	±10% by on-board trim pot
Output Protection:	<ul style="list-style-type: none"> • Current limiting with auto recovery • OVP protection - Zener
EMC:	Emission: EN61000-6-3 Immunity: EN61000-6-1
Safety:	EN60950
Isolation:	Input - Output: 3000VAC
Operating Temp:	-10°C to +40°C at 100% load. Derate linearly to 60°C
Insulation:	Class II insulation
Cooling:	Convection cooled
Connector:	Two core cable (other options on request)
Dimensions/Weight: (H x W x L)	9120: 122 x 78 x 42mm 400g 9320: 130 x 87 x 46mm 400g

Description

The 9120 and 9320 series DC power supplies offer field proven reliability with over 18 years in service. Input is via fixed mains cable and plug and output is a two core cable, although we welcome customer requests for specials. Units can also be manufactured with customer part number and logo, as well with other output voltages.

Constant Current Overload protection makes these units suitable for use as a combined power supply and battery charger.

- **For more detailed information on 9120 and 9320 Series visit our website**

Options

Output Voltage: Customer specified output voltage options

Mounting Brackets: Optional bracket for panel mounting 9120/9320 models: **FAS-207724**



Model	Output			Power W
	V	A	(V Range)	
9120 - 7.7 - C	7.7V	3A	7.4 - 8.0V	23W
9120 - 9 - C	9V	4.5A	8.5 - 10.0V	40W
9120 - 12 - C	13.2V	3.5A	12.0 - 14.5V	46W
9120 - 16 - C	16V	2.7A	15.0 - 18.5V	46W
9120 - 24 - C	24V	2.0A	23 - 28.5V	46W

Model	Output			Power W
	V	A	(V Range)	
9320 - 9 - C	9V	5.0A	8.5 - 10.0V	50W
9320 - 12 - C	13.2V	5.0A	12.0 - 14.5V	70W
9320 - 16 - C	16V	4.4A	15.5 - 18.0V	70W
9320 - 24 - C	24V	3.0A	23 - 27.5V	70W
9320 - 36 - C	36V	2.0A	33 - 38V	70W

BDA SERIES

AC/DC Single Output: 50 - 150 Watts



Features

- Universal input: 90 - 264VAC
- Industrial grade case
- Short circuit and OVP protection
- Harmonic correction EN61000-3-2
- EMC EN55022
- Immunity EN6100 - 4
- Wide range of output voltage options
- Voltage adjustment
- Stand alone or panel mounting case
- Convection cooled
- Suitable for **Battery Charging**

General Specifications

Input Voltage:	90 - 264VAC
Output Voltage:	5 - 48VDC
Output Power:	50 - 150 watts
Voltage Adjustment:	±10%
Efficiency:	Model dependent 67 - 85%
Line Regulation:	Typically 0.2%
Load Regulation:	Typically 0.5%
Output Protection:	Current limiting/ Short circuit protection Output protection
EMC:	EN55022 Level A
Immunity:	EN61000-4
Isolation:	Input - Output 3000VAC
Operating Temp:	-10°C to 50°C at 100% load
Cooling:	Convection cooled
Connector:	2 way screw terminals
Dimensions/Weight:	260 x 105 x 75mm 1 - 2Kg

Description

The BDA series power supplies were designed for use as a stand-alone product with mains power cable, but can also be panel mounted for fixed installations.

The end result is a product that can be safely used in a wide range of industrial applications with output voltage options from 5 to 48VDC.

With field proven reliability over 18 years, the BDA series provides an excellent solution for many industrial applications requiring a fully enclosed power supply.

Overload protection is via *constant current limiting*, making the BDA series suitable for use in battery charging applications. Please consult our sales office for suitable models.

- **For more detailed information on the BDA series, visit our website.**

Options

N/A

Model	Output		Power W
	V	A	
BDA50 - 5	5V	10A	50W
BDA50 - 12	12V	4.3A	50W
BDA50 - 15	15V	3.5A	50W
BDA50 - 24	24V	2.1A	50W
BDA50 - 48	48V	1.1A	50W
BDA75 - 5	5V	15A	75W
BDA75 - 12	12V	6.3A	75W
BDA75 - 15	15V	5.0A	75W
BDA75 - 24	24V	3.2A	75W
BDA75 - 28	28V	2.7A	75W
BDA75 - 48	48V	1.6A	75W

Model	Output		Power W
	V	A	
BDA100 - 5	5V	20A	100W
BDA100 - 12	12V	8.5A	100W
BDA100 - 15	15V	6.7A	100W
BDA100 - 24	24V	4.3A	100W
BDA100 - 28	28V	3.6A	100W
BDA100 - 48	48V	2.1A	100W
BDA150 - 5	5V	30A	150W
BDA150 - 12	12V	12.5A	150W
BDA150 - 15	15V	10.0A	150W
BDA150 - 24	24V	6.3A	150W
BDA150 - 28	28V	5.4A	150W
BDA150 - 48	48V	3.2A	150W

BDA300 SERIES

AC/DC Single Output: 30 Watts



Features

- Universal input: 85 - 264VAC
- IEC input mains socket with power cord
- Short circuit and OVP protection
- Harmonic correction EN61000-3-2
- Power factor correction
- EMC EN55022 - A
- Immunity EN61000-4
- Wide range of output voltage options
- Voltage adjustment
- Stand alone or panel mounting case
- Suitable for **Battery Charging**

General Specifications

Input Voltage:	90 - 264VAC
Output Voltage:	3.3 - 48VDC
Output Power:	300 watts
Voltage Adjustment:	See table
Efficiency:	Model dependent 67 - 85%
Line Regulation:	Typically 0.2%
Load Regulation:	Typically 0.5%
Output Protection:	Current limiting/Short circuit protection OVP protection
EMC:	EN55022 Level A
Immunity	EN61000 - 4
Isolation:	Input - Output 3000VAC
Operating Temp:	-10°C to 50°C at 100% load
Cooling:	Built-in fan
Connector:	Power Supply models: 2 way screw terminals Battery Charging models: 4 way screw terminals
Dimensions/Weight:	300 x 150 x 63mm 1.4Kg

Description

The BDA300 series power supply was designed for use as a stand-alone product with mains via IEC socket and power cord, but can also be panel mounted via four mounting feet.

The end result is a product that can be safely used in a wide range of industrial applications

Overload protection is via *constant current limiting*, thus making the BDA300 suitable for use in battery charging applications.

- **For more detailed information on the BDA300 series, visit our website.**

Options

N/A

Model	Output			Power W
	V	A	(V Range)	
BDA300 - 3	3.3V	55A	2.9 - 3.9V	181W
BDA300 - 5	5.0V	55A	4.5 - 6V	275W
BDA300 - 12	12V	26A	9.6 - 13.2V	300W
BDA300 - 15	15V	21A	13.2 - 18.6V	300W
BDA300 - 24	24V	13A	20 - 28.8V	300W
BDA300 - 36	36V	8.7A	28.8 - 40V	300W
BDA300 - 48	48V	6.7A	40 - 57.6V	300W

Model	Output			Power W
	V	A	(V Range)	
BDA300 - 12B	13.8V	21A	13.2 - 18.6V	300W
BDA300 - 24B	27.6V	11A	20 - 28.8V	300W
BDA300 - 48B	54.0V	5.6A	40 - 57.6V	300W

- Battery Charging Models